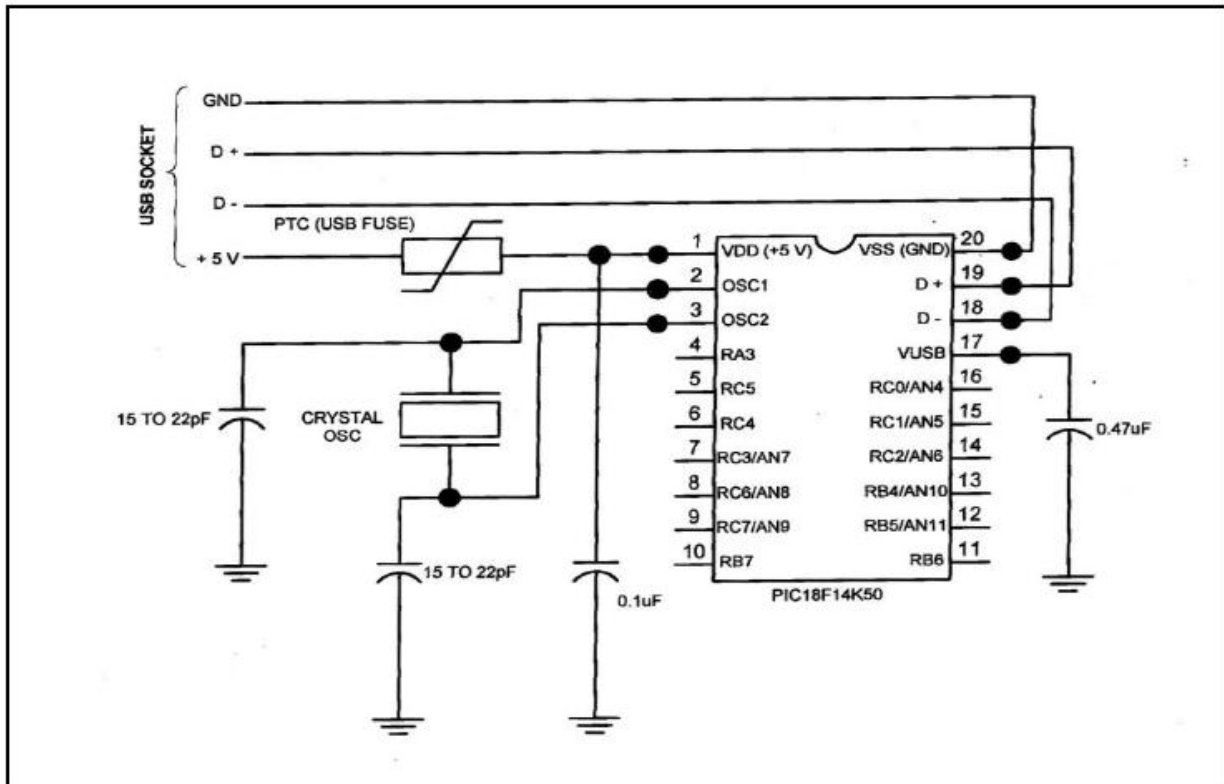


Ezi Comint Interface Card



Circuit description

Figure above shows the circuit for USB Interface Card. A crystal oscillator, 12 MHz is connected to the capacitor while the USB socket is connected to the seven pin of PIC18F14K50 (Pin 1, 2, 3, 17, 18, 19, and Pin 20). The PTC (USB Fuse) is use to protect computer and to avoid the computer and circuit from damage. The USB connector has four pins which are GND (ground), D+, D- and also +5 V. The capacitor of 0.1 uF and 0.47 uF are used to stabilize the power and USB power.

LIST OF I/O PORT

PORT	No. Port Available	Name - PIN	Other Functions
A	1	RA3 - 4	MCLR, Vpp
B	4	RB4 - 13 RB5 - 12 RB6 - 11 RB7 - 10	AN10/SD1/SDA AN11/RX/DT SCK/SCL TX/CK
C	7	RC0 - 16 RC1 - 15 RC2 - 14 RC3 - 7 RC4 - 6 RC5 - 5 RC6 - 8 RC7 - 9	AN4,C12N+/INT0/V _{REF+} AN5/C12IN1-/INT1/V _{REF} AN6 AN7 P1B CCP1 AN8 AN9